

ProfiShark 1G+

All-in-One Gigabit Ethernet Troubleshooter

The Ultimate Solution for Field Testing & Monitoring

- A full featured field service tool, compact and easy to use.**
All-in-one in a pocket-sized box, the only additional hardware required being a PC with a free USB 3.0 port, the ProfiShark 1G+ is the perfect tool for the field engineer as well as for long-term traffic collection. As it is based on USB 3.0 (5 Gbit/s), the ProfiShark 1G+ manages full-duplex Gigabit at wirespeed. The ProfiShark 1G+ is fitted with GPS and PPS input ports for advanced timestamping.

Features

- 10/100/1G monitoring on USB 3.0
- USB 3.0 powered
- Non-intrusive, fail-safe monitoring
- Hardware aggregation
- SPAN and In-Line modes
- Captures any type of frames (VLAN, VXLAN, MPLS, CRC error, Pause, Encapsulated, Short, Jumbo frames...)
- 8 ns hardware timestamp
- GPS-linked timestamping with PPS synchronization
- Real time statistics
- In-depth network port diagnostic and control
- Low level error and bandwidth monitoring
- Direct capture to disk
- Invisible to the network
- PoE compliant

GPS Timestamping

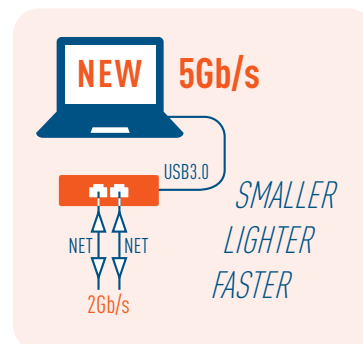
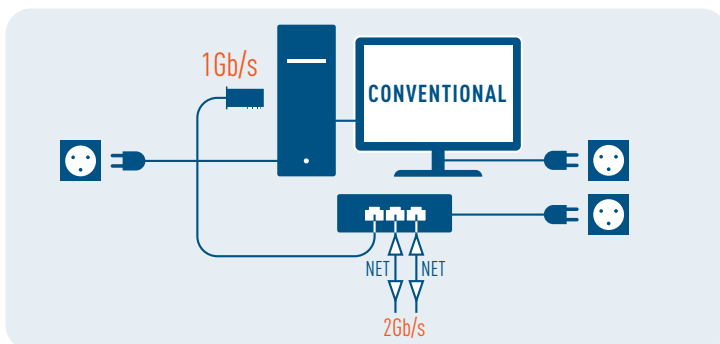
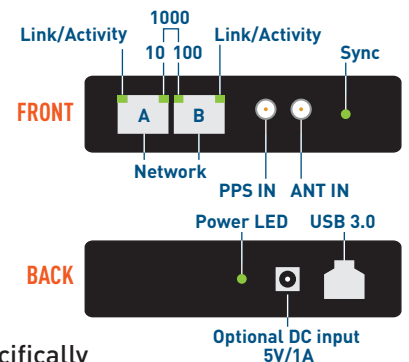
This feature allows real time analysis of aggregated and buffered traffic. It can tag packets with UTC-based, GPS-linked, nanosecond resolution timestamps (typical ± 16 ns precision). A PPS input is also possible for increased NTP-based timestamp precision.

ProfiShark Manager

The ProfiShark 1G+ includes ProfiShark Manager, an application designed specifically for the ProfiShark 1G+. Used in combination with other analysis software, it allows statistical network analysis and diagnostic, and provides configuration options for traffic capture, timestamping, port diagnostic, and port control.



Connection



Connectors	2 x RJ45 8 pins • 1 x SMA female (PPS) • 1 x SMA female (GPS) • 1 x USB 3.0 • 1 x 5 VDC optional input
LEDs	2 x Link/Activity • 2 x Speed • 1 x Sync • 1 x Power
Max. Network Latency	1 Gbps link: 370 ns • 100 Mbps link: 660 ns • 10 Mbps link: 6600 ns
System requirements	Dual Core Processor • 4 GB memory • USB 3.0 port
Supported OS	Windows 7 / 8 / 10 (32-bit & 64-bit) • Linux
Dimensions (WxDxH)	105 x 124 x 26 mm • 4.13 x 4.88 x 1.02 in
Weight	280 g • 0.62 lb
Accessories	GPS/GLONASS Antenna • 1.8 m USB 3.0 cable • RJ45 cable • USB key
Compliance	RoHS

Profitap HQ B.V.
 High Tech Campus 9
 5656 AE Eindhoven
 The Netherlands
+31 (0) 40 782 0880
www.profitap.com