

ProfiShark 10G+

A Unique Solution for Fiber Network Troubleshooting

Comprehensive Fiber Optic Field Testing & Monitoring

- **The ProfiShark 10G+ is a portable fiber optic TAP and troubleshooter. It provides visibility into 10G fiber optic networks, directly to a USB 3.0 connection.**

The ProfiShark 10G+ combines all the groundbreaking features of the ProfiShark 10G with added GPS and PPS functionalities, for advanced timestamping.

ProfiShark 10G+'s GPS timestamping feature allows real time analysis of aggregated and buffered traffic. It can tag packets with UTC-based, GPS-linked, nanosecond resolution timestamps (typical ± 16 ns precision). A PPS input is also possible for increased NTP-based timestamp precision.

The ProfiShark 10G+ accepts any SR, LR, and ER SFP+ modules, and can function in both in-line and SPAN mode.



Features

- 10G fiber monitoring on USB 3.0
- USB 3.0 powered
- Hardware aggregation
- SPAN and In-Line modes
- Capture any type of frames
- Hardware filtering, deep packet inspection
- Packet slicing (128 bytes)
- 8 ns hardware timestamp
- GPS-linked timestamping with PPS synchronization
- Customizable real time statistics
- In-depth network port diagnostic
- Low level error and bandwidth monitoring
- Direct capture to disk
- Invisible to the network

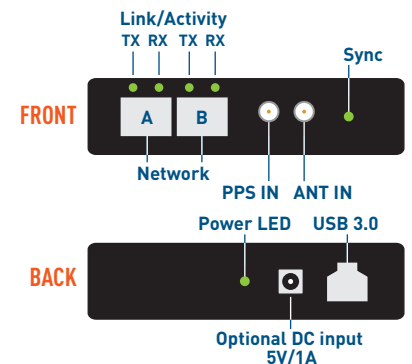
ProfiShark Manager

ProfiShark Manager is an application designed specifically for the ProfiShark series, for use in parallel with traffic analyzers (Wireshark, ClearSight, ...).

ProfiShark Manager provides:

- Customizable counters for statistical network traffic analysis and diagnostic
- SFP status information
- SPAN/In-line and loopback mode control
- Hardware filters and deep packet inspection
- Advanced timestamping: source selection (GPS/GLONASS, SNTP, ...), PPS input/output, latency compensation, real time timing status information
- Capture options: packet slicing, high resolution timestamping, CRC error transmission, CRC32 preservation
- Direct capture to disk

Connection



Connectors 2 x SFP+ • 1 x SMA female (PPS) • 1 x SMA female (GPS) • 1 x USB 3.0 • 1 x 5 VDC optional input

LEDs 4 x Link/Activity • 1 x Sync • 1 x Power

System requirements Dual Core Processor • 4 GB memory • USB 3.0 port

Supported OS Windows 7 / 8 / 10 (32-bit & 64-bit) • Linux

Dimensions (WxDxH) 105 x 124 x 26 mm • 4.13 x 4.88 x 1.02 in

Weight 280 g • 0.62 lb

Accessories GPS/GLONASS Antenna • 1.8 m USB 3.0 cable • USB key

Compliance RoHS

Profitap HQ B.V.

High Tech Campus 9
5656 AE Eindhoven
The Netherlands

+31 (0) 40 782 0880

www.profitap.com